

# Spring Driven Reels



Manufactured by **Cavotec RMS**



# Spring Driven Reels

## Who we are

Cavotec is a multi-national group of companies serving the following industries: mining and tunnelling, ports and maritime, steel and aluminium, energy and offshore, airports, general industry and automation. In the early 1960's our main focus was the design and production of motorised cable reels primarily for manufacturers of tower cranes, harbour cranes and mining equipment. Today, Cavotec is connecting mobile equipment around the world in many diverse applications.

## Where we are

The Cavotec Group consists of 7 manufacturing "Centres of Excellence" located in Canada, France, Germany, Italy, New Zealand, Norway and Sweden, and by 5 local manufacturing units located in Australia, China, Germany and the USA. For the distribution of products and providing support to customers Cavotec has 27 sales companies which, together with a network of distributors, serve more than 30 countries in five continents. The ultimate objective is to be perceived as "local everywhere".

## How we work

Our aim is to work closely with our customers in order to build long-term partnerships. To achieve this aim we have created a working environment that attracts the best people, encourages them to stay and brings out their best qualities. By producing totally reliable systems and backing them with efficient service, we strive to create true customer satisfaction.



## Spring Driven Reels

Established in 1979, Cavotec RMS is a French manufacturing company, specialised in the development and production of spring driven hose and cable reels and other related equipment.

The innovative design and modular components allow for a great many combinations able to cover most industry requirements. The absolute commitment to deliver high quality products guarantees a long operating lifetime in even the most demanding type of application.

# Cavotec Group Organisation

As shown here the Cavotec Group is organised to support its customers around the world through its manufacturing units and sales companies.

Each Cavotec manufacturing company, no matter where it is located, aims at being a market leader in its field by providing innovative and reliable products to Group customers.

Each Cavotec sales company, in the 27 countries where they operate, aims at better serving its local market following the Group philosophy "to be local everywhere".

## Manufacturing network

### Centres of Excellence

#### France

##### Cavotec RMS

Spring Driven Reels

#### Germany

##### Cavotec Alfo

Spring Driven Reels

Slipring Columns

##### Cavotec Fladung

Aircraft Support Systems

Security Systems

#### Italy

##### Cavotec Specimas

Motorized Cable Reels

Panzerbelt Cable Protection

Slipring Columns

#### Norway

##### Cavotec Micro-control

Radio Remote Controls

#### Sweden

##### Cavotec Connectors

Electrical Plugs & Sockets

#### New Zealand

##### Cavotec MoorMaster

Automated Mooring Systems

### Local Manufacturing

#### Australia

##### Cavotec Australia

Motorized Cable Reels

#### China

##### Cavotec China

Product Assembly

#### Germany

##### Cavotec Micro-control

Radio Remote Controls

#### Sweden

##### Cavotec Sweden

Product Assembly

#### USA

##### Cavotec USA

Product Assembly

### Group Partners

#### Belgium

##### Gantry

Crane Rail Systems

#### Italy

##### Brevetti Stendalto

Cable Chains

##### Prysmian (Pirelli)

Flexible Cables

##### Tratos Cavi

Flexible Cables

## Sales network

### Cavotec Sales Companies

Cavotec Australia  
 Cavotec Belgium\*  
 Cavotec BeNeLux  
 Cavotec Brazil\*  
 Cavotec Canada  
 Cavotec Chile  
 Cavotec China  
 Cavotec Denmark  
 Cavotec Finland

Cavotec France  
 Cavotec Germany  
 Cavotec Hong Kong  
 Cavotec India  
 Cavotec Italy  
 Cavotec Korea  
 Cavotec Latin America  
 Cavotec Mexico  
 Cavotec Middle East

Cavotec Norway  
 Cavotec Russia\*  
 Cavotec Singapore  
 Cavotec South Africa  
 Cavotec Sweden  
 Cavotec Turkey  
 Cavotec UK & Ireland  
 Cavotec USA

\* Branch Office





# Contents

BAN series	Page	6
RM series reels for earthing cable	Page	7
RM series reels for electric cable	Pages	8-9
MC series reels for electric cable	Page	10
MJ series reels cable storage with electric reeling	Page	11
RM series hose reels for compressed air or high/low pressure water	Page	12
MC series reels hose storage	Page	13
RM series reels hose reel for hydraulic fluid	Page	14
DE series reels twin hose oxygen-acetylen	Page	15

# BAN series for hose or cable



BAN series reels have optional colour schemes.

Cavotec RMS has developed the new BAN series of hose or cable reels in order to supply products of the highest quality at the lowest price. All these reels are equipped with a PVC hose for compressed air or water (225 PSI or 15 Bars, up to 60°C) and the cable reels are equipped with HO7RNF.

If you need a reel with other characteristics, do not hesitate to contact Cavotec. Our sales and technical departments will offer the best solution for your installation.

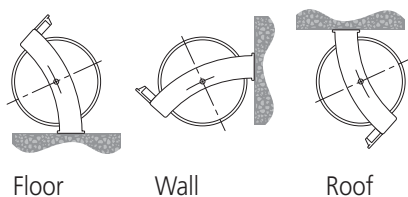
## Fields of application

- Workshop
- Garage
- Petrol station
- Tanker vehicles
- Tooling

## Characteristics

- Robustly manufactured in steel
- Drum mounted on two sealed ball bearings
- Locking device for manual operation, with 3 adjustable positions
- Black epoxy polyester painted
- Option: anti-corrosion plating or different colours

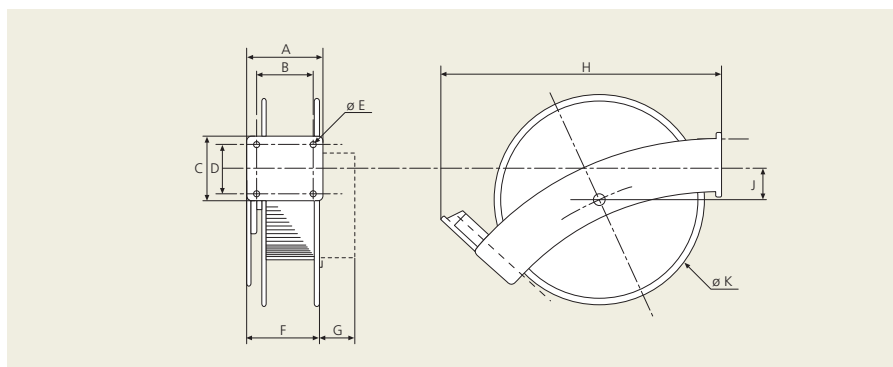
## Possible mounting positions



Floor

Wall

Roof



Reel reference	Ø mm	Hose I.D "	Length m
BAN 3 08/10	8x14	1/4"	10
BAN 4 08/15	8x14	1/4"	15
BAN 4 08/18	8x14	1/4"	18
BAN 4 12/15	12x20	1/2"	15

Type	A	B	C	D	ØE	F cable	F hose	H	J	ØK
BAN 3	130	90	100	70	10	155	125	420	50	300
BAN 4	150	110	120	90	10	135	135	528	70	400

Cable type	3G1,5	3G2,5	4G1,5	4G2,5	4G4	5G1,5	5G2,5	12G1,5
cable code (xxxx)	0315	0325	0415	0425	0404	0515	0525	1215
G (mm)	65	65	65	65	65	90	90	245
Max current (A)	10	15	10	15	20	10	15	10
Reel reference	Length (m)							
BAN 3 xxxx07	–	–	–	–	7	–	7	–
BAN 3 xxxx10	10	10	10	10	–	10	–	–
BAN 4 xxxx08	–	–	–	–	–	–	–	8
BAN 4 xxxx15	15	15	15	15	15	15	15	–
BAN 4 xxxx18	18	18	18	18	–	18	–	–
BAN 4 xxxx20	–	–	–	–	–	–	20	–
BAN 4 xxxx25	25	25	25	25	–	25	–	–

## RM series reels for earthing cable



RM series reel shown with optional colour.

All RM reels for earthing are equipped with a HO7VK green/yellow cable and an crocodile clip. If you do not need 180° orientation, other mounting brackets are available on request.

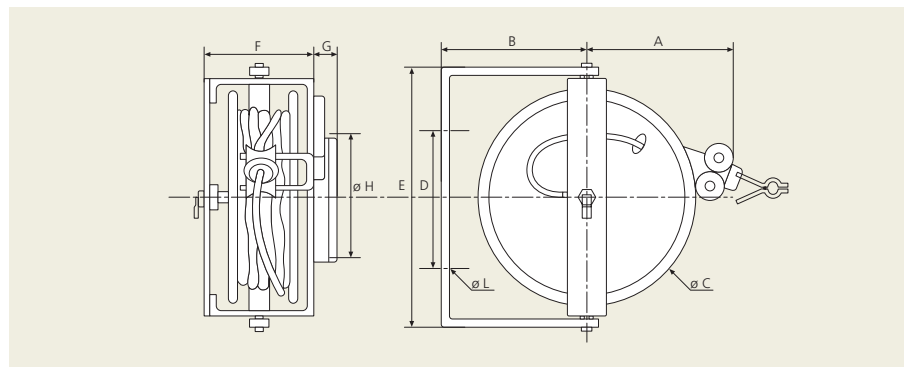
If you need a reel with other characteristics, do not hesitate to contact Cavotec. Our sales and technical departments will offer the best solution for your installation.

### Fields of application

- Ensure equipotential link
- Protection against electrostatic loads
- Tanker vehicles, Chemical tanks

### Characteristics

- Robustly manufactured in steel
- Drum mounted on two sealed ball bearings
- Slipping assembly: 1 ring/brush for 50 mm<sup>2</sup>
- Cable HO7VK yellow/green equipped with crocodile clips
- The mounting bracket ensure an orientation on 180°
- Locking device for manual operation
- Black epoxy polyester painted
- Option: anti-corrosion plating or different colours



Type	A mm	B mm	C mm	D mm	E mm	F mm	G mm	H mm	L mm	1x6mm <sup>2</sup> length m	1x10mm <sup>2</sup> length m	1x16mm <sup>2</sup> length m	1x25mm <sup>2</sup> length m	1x35mm <sup>2</sup> length m	1x50mm <sup>2</sup> length m
RM3 MT	220	210	300	225	360	140	30	200	16	15	15	15	15	15	–
RM3 MT D2	220	210	300	225	360	160	40	200	16	25	25	25	–	–	–
RM3 MT D3	220	210	300	225	360	160	40	200	16	30/40	30	30	–	–	–
RM4 MT	280	240	400	300	455	165	50	250	16	–	–	–	25	25	20
RM4 MT D2	280	240	400	300	455	180	50	250	16	–	–	40	35	–	–



## RM series reels for electric cable



RM series reels have several different colour options.

These RM reels are equipped with HO7RNF cable as standard but other cable can be used on request. If you do not need the orientation of 180°, other mounting brackets are available on request.

If you need a reel with other characteristics, do not hesitate to contact Cavotec. Our sales and technical departments will offer the best solution for your installation.

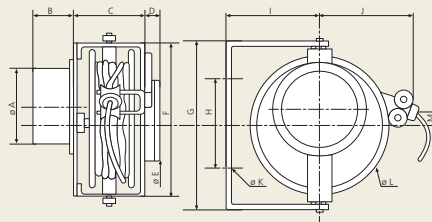
### Fields of application

- Moving cranes
- Tooling
- Workshop

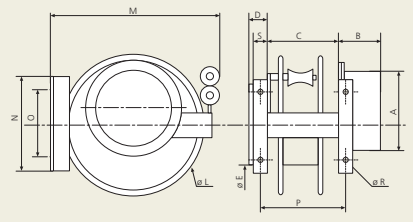
### Characteristics

- Robustly manufactured in steel
- Drum mounted on two sealed ball bearings
- Slipping assemblies
- The mounting bracket ensure an orientation on 180° (OR series) or fixed bracket (F series)
- Locking device for manual operation
- Black epoxy polyester painted
- Option: anti corrosion plating or different colours

### Swivelling type



### Fixed type



Type	C mm	D mm	E mm	F mm	G mm	H mm	I mm	J mm	K mm	L mm	M mm	N mm	O mm	P mm	R mm	S mm
RM3	140	40	200	340	360	200	210	220	16	300	390	200	150	168	10	30
RM4 or RM4z	165	50	250	430	455	300	240	280	16	400	480	250	200	210	12	40
RM4 D2 or D3	185	50	250	430	455	300	240	280	16	400	480	250	200	230	12	40
RM5	195	50	250	550	580	400	285	340	20	500	580	300	250	260	12	50
RM5 D2 or D3	195	105	250	550	580	400	285	340	20	500	580	300	250	260	12	50

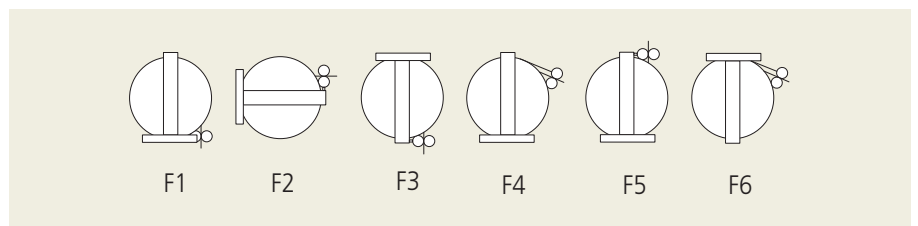


Type	Slipping current Ø A (A)	Ø A RM3 mm	Ø A RM4&5 mm	B mm	RM3 m	RM4 z m	RM4 m	RM4 D2 m	RM4 D3 m	RM5 m	RM5 D2 m	RM5 D3 m
3G1,5	25	170	170	115	14	20	25	35	-	-	40	50
3G2,5	25	170	170	115	14	20	25	30	35	-	40	50
3G4	25	170	170	115	10	18	25	-	-	30	35	45
3G6	50	200	200	130	7	15	20	-	-	25	40	-
3G10	50	-	205	202	-	-	10	-	-	22	-	-
3G16	90	-	245	205	-	-	-	-	-	15	-	-
4G1,5	25	170	170	115	14	20	25	30	-	-	40	-
4G2,5	25	170	170	115	13	20	25	30	-	-	40	50
4G4	25	170	170	115	7	15	20	25	-	25	35	40
4G6	50	200	200	155	6	-	16	-	-	25	35	-
4G10	50	-	205	202	-	-	8	-	-	15	-	-
4G16	90	-	245	205	-	-	-	-	-	12	-	-
5G1,5	25	170	200	130	13	20	25	30	-	-	40	-
5G2,5	25	170	200	130	7	15	20	25	-	25	35	40
5G4	25	170	200	130	6	-	16	-	-	25	30	-
5G6	50	-	200	155	-	-	10	-	-	20	-	-
5G10	50	-	205	202	-	-	-	-	-	12	-	-
7G1,5	25	200	200	155	6	16	20	-	-	25	30	-
7G2,5	25	200	200	155	-	-	10	-	-	22	30	-
12G1,5	25	-	140	245	-	-	10	-	-	20	-	-
12G2,5	25	-	140	245	-	-	8	-	-	15	-	-
18G1,5	25	-	140	325	-	-	-	-	-	12	-	-
18G2,5	25	-	140	325	-	-	-	-	-	12	-	-

D2 and D3 are designed to be used manually with the locking device.

Cable length mentioned above are maximum lengths. In order to optimize our offer, please indicate the requested length.

In the case of fixed type, please indicate the required mounting position.



- F1: floor mounting, unreeling direction downward
- F2: wall mounting, unreeling direction horizontal
- F3: ceiling mounting, unreeling direction downward
- F4: floor mounting, unreeling direction horizontal
- F5: floor mounting, unreeling direction upward
- F6: ceiling mounting, unreeling direction horizontal

The currents indicated above are the maximum for the slipping. The maximum current for cables depend on the section and number of cores, the ambient temperature, the duty cycle, the number of layers according to VDE 0298 P4.

# MC series reels cable reels



MC reel shown with options:  
- non standard colour  
- cable guide

All these MC reels are equipped with HO7RNF cable as standard but other cable can be used on request. Three mounting positions are available, other mounting brackets are available on request.

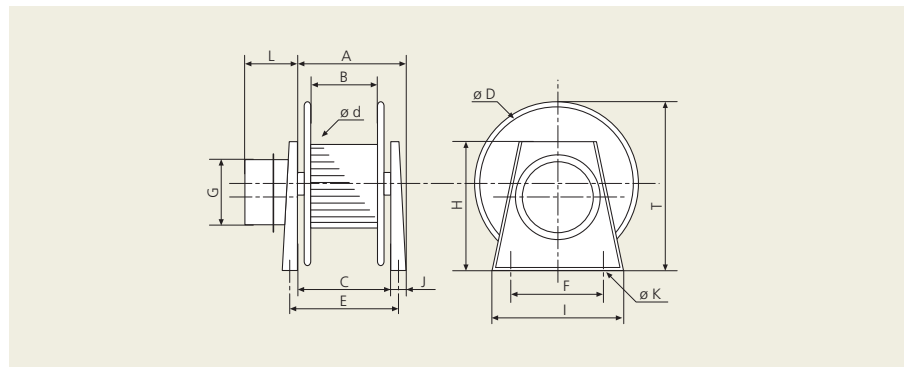
If you need a reel with other characteristics, do not hesitate to contact Cavotec. Our sales and technical departments will offer the best solution for your installation.

### Fields of application

- Moving cranes
- Tooling
- Workshop
- Trucks

### Characteristics

- Robustly manufactured in steel
- Drum mounted on two sealed ball bearings
- Slipping assemblies
- Mounting bracket 3 positions
- Possible locking device for manual operation
- Black epoxy polyester painted
- Option: anti corrosion plating, different colours, cable guide



Type	D mm	d mm	B mm	E mm	F mm	H mm	I mm	J mm	K mm	A mm	C mm	T mm
RM4 MC	400	200	155	250	250	400	400	40	16	255	200	430
RM5 MC	500	250	210	330	250	400	400	40	16	325	282	530
RM6 MC	600	250	210	340	350	500	500	50	16	335	282	630

### Drum capacities for HO7RNF cables in meters (for other cables please contact us)

Type	3G1,5	3G2,5	3G4	3G6	3G10	3G16	3G25	3G35	4G2,5	4G4	4G6	4G10	4G16	4G25	4G35
Slipping current. (A)	25	25	25	50	50	90	150	200	25	25	50	50	90	150	200
Ø G mm	170	170	170	200	205	245	360	360	170	170	200	205	245	360	360
L mm	115	115	115	130	202	205	225	225	115	115	155	202	205	225	225
RM4 MC m	25	25	25	20	16	10	–	–	25	20	20	12	–	–	–
RM5 MC m	30	30	30	25	25	25	18	15	30	25	25	20	18	15	10
RM 6 MC m	–	–	–	30	30	30	28	25	–	30	30	25	25	22	20

Type	5G1,5	5G2,5	5G4	5G6	5G10	5G16	5G25	7G1,5	7G2,5	12G1,5	12G2,5	18G1,5	18G2,5
Slipping current. (A)	25	25	25	50	50	90	150	25	25	25	25	25	25
Ø G mm	200	200	200	200	205	245	360	200	200	140	140	140	140
L mm	130	130	130	155	202	205	225	155	155	245	245	325	325
RM4 MC m	25	20	20	16	10	–	–	20	16	16	12	10	–
RM5 MC m	30	25	25	25	20	15	10	25	25	25	20	20	18
RM 6 MC m	–	30	30	30	25	23	20	30	30	30	25	25	24

The currents indicated above are the maximum for the slip ring. The maximum current for cables depends on the section and number of cores, the ambient temperature, the duty cycle, the number of layers according to VDE 0298 P4. Please contact us for more information.

## MJ series reels cable storage with electric reeling



All MJ series reels are supplied without cable as standard but cable and connectors can be supplied on request. Some other types with extra drums can also be delivered.

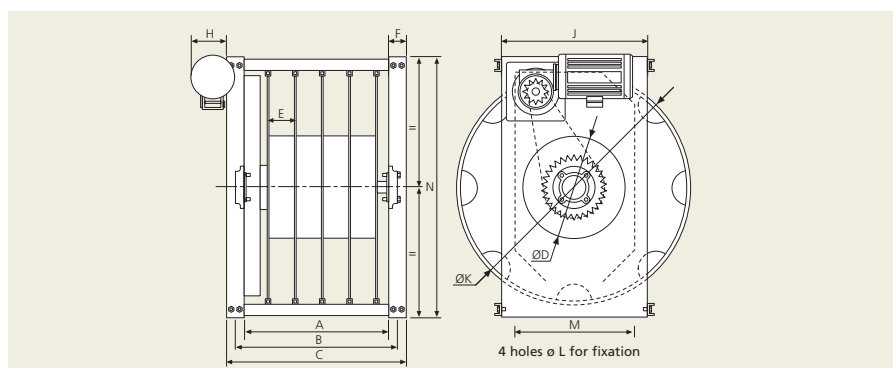
If you need a reel with other characteristics, do not hesitate to contact Cavotec. Our sales and technical departments will offer the best solution for your installation.

### Fields of application

- Trucks and trailers for moving power supply units

### Characteristics

- Robustly manufactured in steel
- Four to five drums mounted on sealed ball bearings
- No slipping assemblies
- Motor 24 / 48 V DC  
230-400 V 50 Hz- 3 phases  
Delivered without control cubicle
- Reeling speed: 10 to 20 t/mn
- Locking device for the transportation
- Black epoxy polyester painted
- Option: anti corrosion plating, different colours



Type	A mm	B mm	C mm	D mm	E mm	F mm	G mm	H mm	J mm	K mm	L mm	M mm	N mm	Weight kg
MJ 500M	580	630	660	200	110	40	705	255	300	500	12	200	600	90
MJ 600M	560	610	640	250	105	40	755	255	400	600	14	300	700	100
MJ 800M/90	500	570	620	350	90	60	905	255	500	800	16	400	890	170
MJ 800M/140	700	770	820	350	140	60	905	255	500	800	16	400	890	175

These dimensions may be modified in accordance with the customer's request.

### Reeling capacities on each bobin for H07 RNF cables in meters

Type	1x35mm <sup>2</sup> length m	1x50mm <sup>2</sup> length m	1x70mm <sup>2</sup> length m	1x95mm <sup>2</sup> length m	1x120mm <sup>2</sup> length m	1x150mm <sup>2</sup> length m	1x185mm <sup>2</sup> length m	1x240mm <sup>2</sup> length m
MJ 500M	30	30	20	20	–	–	–	–
MJ 600M	40	40	30	30	–	–	–	–
MJ 800M/90	–	–	–	–	30	30	20	20
MJ 800M/140	–	–	–	–	40	40	30	30

# RM series hose reels for compressed air or high/low pressure water



RM serie hose reel for air shown with different colour option.

Cavotec RMS has developed this series of hose reels to supply air or water up to 60°C. All these reels are equipped with reinforced hose. If you do not need the 180° orientation, other mounting brackets are available on request.

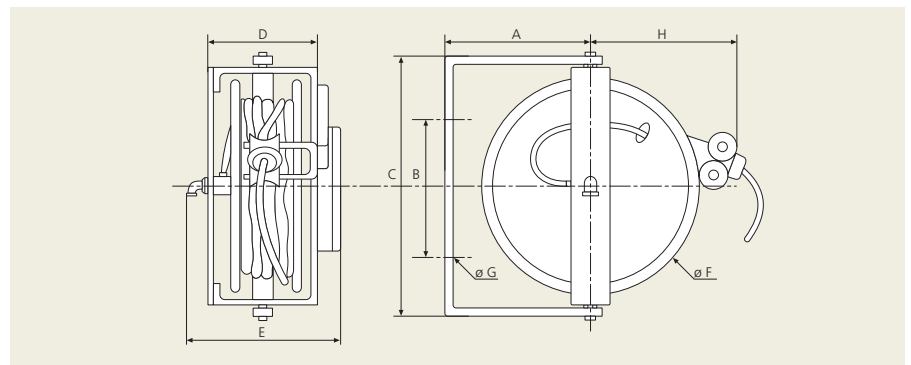
If you need a reel with others characteristics, do not hesitate to contact Cavotec. Our sales and technical departments will offer the best solution for your installation.

## Applications

- Air**
  - For tooling, inflating, mobile machines
- Water**
  - Laboratories
  - Industrial plants
  - Food processing plants

## Characteristics

- Robustly manufactured in steel
- Drum mounted on two sealed ball bearings
- Rotating swivels are in stainless steel and brass for air and low pressure water, steel electroless nickel plated for high pressure water.
- The mounting bracket ensure an orientation on 180°
- Locking device for manual operation
- Black epoxy polyester painted
- Option: anti-corrosion plating, different colours



Fluid	Type	A mm	B mm	C mm	D mm	E mm	F mm	G mm	H mm	lg m	Ø int mm	Ø int "	Pressure bar/(psi)	Reinforced	Weight Kg
Air	RM310	210	200	360	160	230	300	16	220	10	6,4	1/4"	15(225)	Metallic	12
Air	RM420	235	300	460	165	245	400	16	280	20	6,4	1/4"	15(225)	Metallic	18
Air	RM430	235	300	460	185	275	400	16	280	30	6,4	1/4"	15(225)	Metallic	25
Air/water	RM310T	210	200	360	160	230	300	16	220	10	6,4	1/4"	15(225)	Textile	12
Air/water	RM420T	235	300	460	165	245	400	16	280	20	6,4	1/4"	15(225)	Textile	18
Air/water	RM430T	235	300	460	185	275	400	16	280	30	6,4	1/4"	15(225)	Textile	25
Air/water	RM415T	235	300	460	165	245	400	16	280	15	9,5	3/8"	15(225)	Textile	19
Air/water	RM425T	235	300	460	185	275	400	16	280	25	9,5	3/8"	15(225)	Textile	26
Air/water	RM305T	210	200	360	160	240	300	16	220	5	12,7	1/2"	15(225)	Textile	12
Air/water	RM412T	235	300	460	165	245	400	16	280	12	12,7	1/2"	15(225)	Textile	19
Air/water	RM520T	290	400	560	195	290	500	16	340	20	12,7	1/2"	15(225)	Textile	30
Air/water	RM510T	290	400	560	195	290	500	16	340	15	19	3/4"	15(225)	Textile	30
Water	RM4 HP	235	300	460	165	275	400	16	280	15	8	5/16"	200(3000)	Metallic	18
Water	RM4 LHP	235	300	460	215	325	400	16	280	25	8	5/16"	200(3000)	Metallic	22

Notice: a flexible connection must be used between the inlet pipe and the inlet swivel joint.

## MC series reels hose storage



These MC series reels are equipped with reinforced hoses as standard but other hoses can be used on request. Three mounting positions are available, other mounting brackets are available on request.

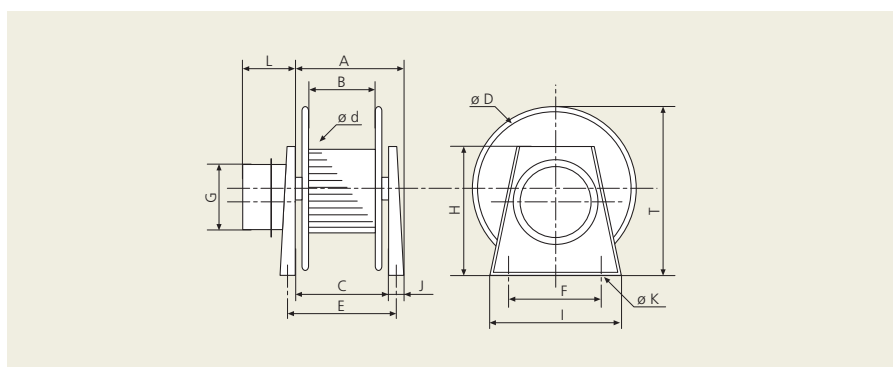
If you need a reel with other characteristics, do not hesitate to contact Cavotec. Our sales and technical departments will offer the best solution for your installation.

### Fields of application

- Moving machines
- Tooling
- Workshop
- Trucks

### Characteristics

- Robustly manufactured in steel
- Drum mounted on two sealed ball bearings
- Swivel type depending on fluid
- 3 positions mounting bracket
- Possible locking device for manual operation
- Black epoxy polyester painted
- Option: anti corrosion plating, different colours, hose guide



Type	D	d	B	E	F	H	I	J	K	A	C	T
	mm	mm	mm	mm	mm	mm	mm	mm	Mm	mm	mm	mm
RM5 MC	500	250	210	330	250	400	400	40	16	325	282	530
RM6 MC	600	250	210	340	350	500	500	50	16	335	282	630

### Hose storage capacities in meters

Fluid	Hose mm	Pressure Bar/Psi	Swivel Type Inch	L mm	RM 5 m	RM 6 m
Water	12x20	15/225	1/2"	70	30/40	–
Water	19x27	15/225	3/4"	80	20	30
Water	25x35	15/225	1"	95	15	25
Petrol	19x27	15/225	3/4"	80	20	30
Petrol	25x35	15/225	1"	95	15	25

Notice: a flexible connection must be used between the inlet pipe and the inlet swivel joint.



## RM series reels hose reel for hydraulic fluid



RM series reels shown in non-standard colour.

Cavotec RMS has developed this series of hose reels for hydraulic fluid. All these reels are equipped with a reinforced hose for a pressure up to 2250 PSI (150 bars). If you do not need the 180° orientation, other mounting brackets are available on request.

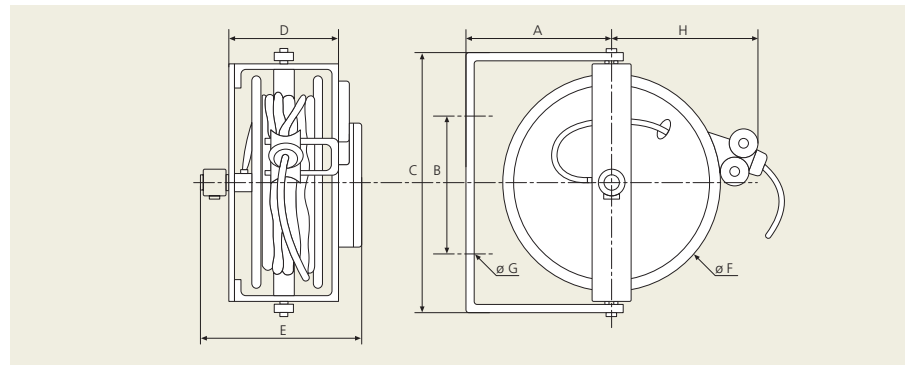
If you need a reel with other characteristics, do not hesitate to contact Cavotec. Our sales and technical departments will offer the best solution for your installation.

### Fields of application

- For hydraulic fluid under pressure
- Access platform vehicles

### Characteristics

- Robustly manufactured in steel
- Drum mounted on two sealed ball bearings
- Rotating hydraulic swivels are electroless nickel plating
- The mounting bracket ensure an orientation on 180°
- Locking device for manual operation
- Black epoxy-Polyester painted
- Option: anti-corrosion plating or different colours



Type	A mm	B mm	C mm	D mm	E mm	F mm	G mm	H mm	length m	hose I.D. mm	hose I.D. inch	Pressure bar/(psi)	Reinforced	Weight kg
RM4 FH	235	300	460	165	275	400	16	280	15	7,9	5/16"	150(2250)	Metallic	24
RM4 LFH	235	300	460	215	325	400	16	280	25	7,9	5/16"	150(2250)	Metallic	27

## DE series reels *twin hose oxygen-acetylen*



Cavotec RMS has developed this series of special twin hose reels. All these reels are equipped with twin 10x17 hose as standard but other types can be used on request.

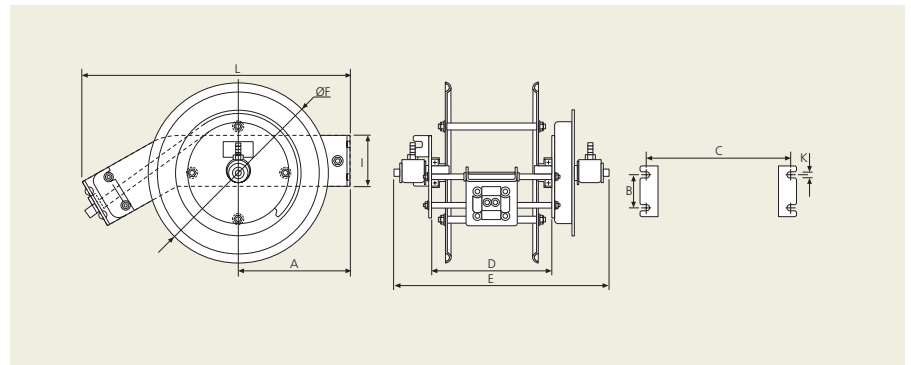
If you need a reel with other characteristics, do not hesitate to contact Cavotec. Our sales and technical departments will offer the best solution for your installation.

### Fields of application

- Workshop
- Welding
- Garage.

### Characteristics

- Robustly manufactured in steel
- Drum mounted on two sealed ball bearings
- 1 Rotating swivel on each side
- Locking device for manual operation
- Sliding hose guide for a perfect reeling
- Equipped with locking device
- Black epoxy-Polyester painted
- Options: anti-corrosion plating or different colours



Type	A mm	B mm	C mm	D mm	E mm	ØF mm	I mm	K mm	L mm	lg m	Ø int/ext mm	Pressure bar/(psi)	Reinforced	Weight kg
BAN3 DE	185	55	240	200	359	300	85	10	444	7	10/17	10(150)	Textile	12
BAN4 DE	235	55	240	200	369	400	85	10	544	15	10/17	10(150)	Textile	20

Head Office

**Cavotec MSL Holdings Ltd.**

Cavotec MSL is listed on the **NZX**

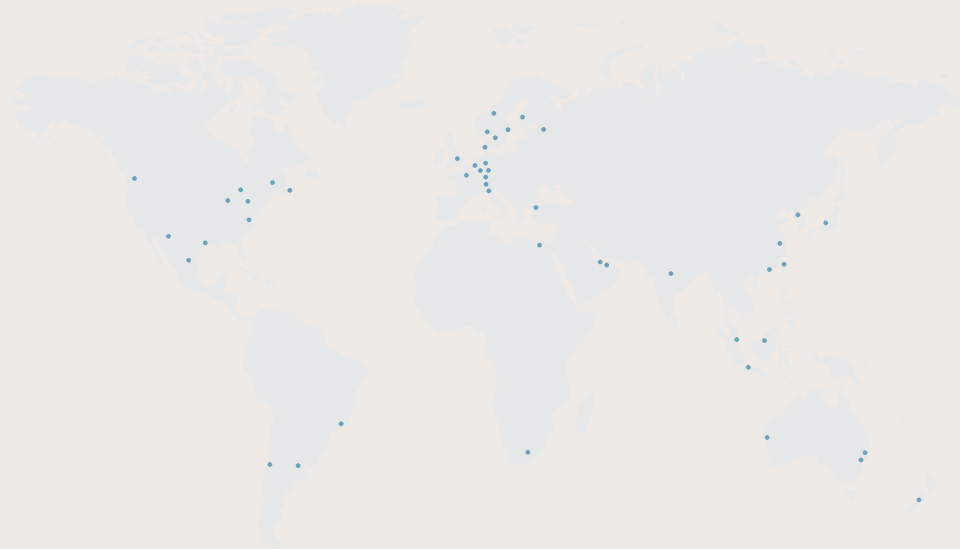
Corporate Office

**Cavotec (Swiss) SA**

Via Serafino Balestra 27  
CH-6900 Lugano, Switzerland

*We are present in*

Argentina	Luxemburg
Australia	Malaysia
Belgium	Mexico
Brazil	The Netherlands
Canada	New Zealand
Chile	Norway
China	Russia
Denmark	Saudi Arabia
Egypt	Singapore
Finland	South Africa
France	Sweden
Germany	Switzerland
Hong Kong	Taiwan
India	Turkey
Indonesia	Qatar
Ireland	U.A.E.
Italy	U.K.
Japan	U.S.A.
Korea	



For more information please visit our website [www.cavotec.com](http://www.cavotec.com)  
or contact us directly at [info@cavotec.com](mailto:info@cavotec.com)