

Aurotac Sliprings



Manufactured by **Elet.Ca**

Aurotac Sliprings

Who we are

Cavotec is a multi-national group of companies serving the following industries: mining and tunnelling, ports and maritime, steel and aluminium, energy and offshore, airports, general industry and automation. In the early 1960's our main focus was the design and production of motorised cable reels primarily for manufacturers of tower cranes, harbour cranes and mining equipment. Today, Cavotec is connecting mobile equipment around the world in many diverse applications.

Where we are

The Cavotec Group consists of 7 manufacturing "Centres of Excellence" located in Canada, France, Germany, Italy, Norway and Sweden and by 5 local manufacturing units located in Australia, China, Germany and the USA. For the distribution of products and providing support to customers Cavotec has 27 sales companies which, together with a network of distributors, serve more than 30 countries in five continents. The ultimate objective is to be perceived as "local everywhere".

How we work

Our aim is to work closely with our customers in order to build long-term partnerships. To achieve this aim we have created a working environment that attracts the best people, encourages them to stay and brings out their best qualities. By producing totally reliable systems and backing them with efficient service, we strive to create true customer satisfaction.



Elet.Ca

Manufactured by Elet.Ca in Italy, the Aurotac slipring range is a proven solution for applications where conventional sliprings cannot be installed. Their innovative design combined with the use of high quality components make the Aurotac slipring the obvious choice for industry operators around the world.



Cavotec Group Organisation

As shown here the Cavotec Group is organised to support its customers around the world through its manufacturing units and sales companies.

Each Cavotec manufacturing company, no matter where it is located, aims at being a market leader in its field by providing innovative and reliable products to Group customers.

Each Cavotec sales company, in the 27 countries where they operate, aims at better serving its local market following the Group philosophy "to be local everywhere".

Manufacturing network

Centres of Excellence

France

Cavotec RMS

Spring Driven Reels

Germany

Cavotec Alfo

Spring Driven Reels

Slipring Columns

Cavotec Fladung

Aircraft Support Systems

Security Systems

Italy

Cavotec Specimas

Motorized Cable Reels

Panzerbelt Cable Protection

Slipring Columns

Norway

Cavotec Micro-control

Radio Remote Controls

Sweden

Cavotec Connectors

Electrical Plugs & Sockets

New Zealand

Cavotec MoorMaster

Automated Mooring Systems

Local Manufacturing

Australia

Cavotec Australia

Motorized Cable Reels

China

Cavotec China

Product Assembly

Germany

Cavotec Micro-control

Radio Remote Controls

Sweden

Cavotec Sweden

Product Assembly

USA

Cavotec USA

Product Assembly

Group Partners

Belgium

Gantry

Crane Rail Systems

Italy

Brevetti Stendalto

Cable Chains

Prysmian (Pirelli)

Flexible Cables

Tratos Cavi

Flexible Cables

Sales network

Cavotec Sales Companies

Cavotec Australia

Cavotec Belgium*

Cavotec BeNeLux

Cavotec Brazil*

Cavotec Canada

Cavotec Chile

Cavotec China

Cavotec Denmark

Cavotec Finland

Cavotec France

Cavotec Germany

Cavotec Hong Kong

Cavotec India

Cavotec Italy

Cavotec Korea

Cavotec Latin America

Cavotec Mexico

Cavotec Middle East

Cavotec Norway

Cavotec Russia*

Cavotec Singapore

Cavotec South Africa

Cavotec Sweden

Cavotec Turkey

Cavotec UK & Ireland

Cavotec USA

* Branch Office

General Information



The product

Designed and manufactured by Elet.Ca in Italy, the Aurotac slipring range forms the ideal instrument for transmitting signal and control circuits. The Aurotac sliprings are specially effective in applications where high revolutions per minute, low (electrical) noise, and low resistance prohibit the use of conventional sliprings.

The durable, compact and maintenance free construction of the Aurotac sliprings makes it the obvious choice for applications in areas such as:

- computers
- instrumentation
- thermocouples
- cable reels
- strain gauges
- packaging equipment
- robotics
- turntables
- advanced lighting
- windmills
- video and telephone
- testing and control devices

Aurotac sliprings incorporate highly sophisticated technology using special surface treatments and gold-plated contacts. The specified values on cross-talk and dynamic resistance combined with the compact design and an excellent performance record distinguish the Aurotac slipring from other types of slipring available on the market.

The sliprings are fitted with long-life sliding contacts and are most suited for use with electronic circuits using analogue or digital signals, as well as power circuits up to 25 Amps.

By optimising the screening and trimming process of the circuits the Aurotac sliprings enable high frequency applications to improve their standing wave ratio (WSWR). The sliprings can also provide special circuits for special lines (RS) and radio frequency lines (RF).

Power + signal

	2 x 25A 2 x 5A	4 x 25A	4 x 25A 4 x 5A	4 x 25A 8 x 5A
TYPE 02	150C9202	150C9402	150C9802	150C9002
TYPE 03	—	150C9403	150C9803	150C9003
TYPE 04	—	150C9404	150C9804	150C9004

Signal

	3 x 5A	6 x 5A	9 x 5A	12 x 5A
TYPE 10	150C9310	150C9610	150C9910	150C9010
TYPE 15	150C9315	150C9615	150C9915	150C9015
TYPE 16	150C9316	150C9616	150C9916	150C9016
TYPE 17	150C9317	150C9617	150C9917	150C9017

Construction

The mechanical parts of the slipring are made from special anodised aluminium. This allows the slipring to withstand harsh environmental conditions such as extreme temperatures, vibrations and shock.

The standard range of sliprings are manufactured in different models and variations to meet specific requirements. The variations include differences in flange, shaft or screw fixing configurations, designed to facilitate mounting on a range of equipment.

On request, Elet.Ca also provides special electrical and mechanical, solutions customised to meet any specific need.

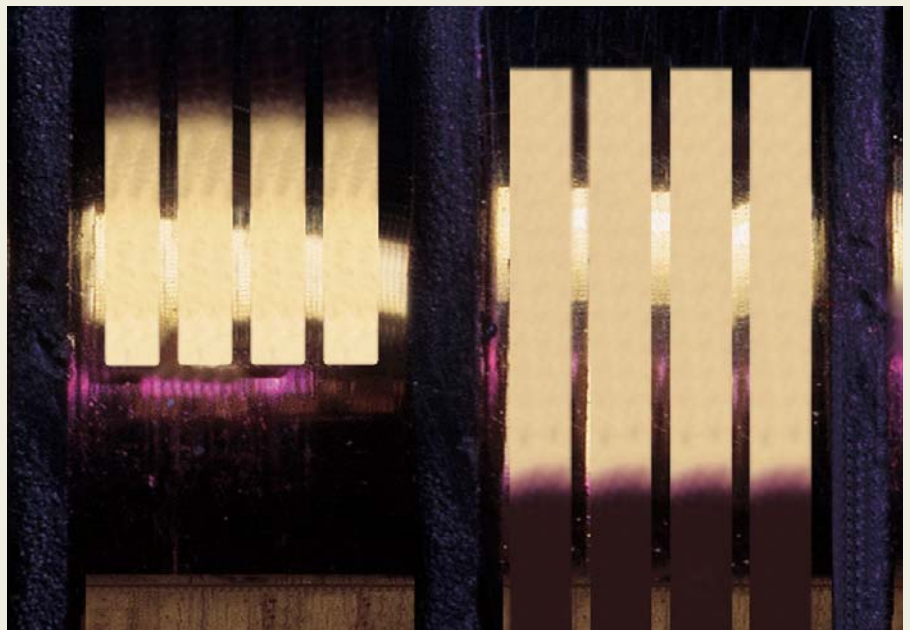
Warranty

The Aurotac sliprings manufactured by Elet.Ca are guaranteed against manufacturing and material defects, considering the material has not been damaged or misused and that all indications in the operating and installation instructions have been followed.

The warranty is restricted to the free replacement of the defective part (ex works), after examination of the defective product from our side.



An overview of the Aurotac slipring range.



An enlarged view of the heart of the Aurotac slipring: the gold-plated contacts.

Technical Data



Circuit resistance:	<60 mohm
Insulation resistance at 500V dc - 50%RH:	>1000 Mohm
Dynamic resistance (noise):	<15 mhom
Current:	see size tabel
Voltage:	+500 Vac 750 Vdc
Speed (bidirectional):	1000 rpm Max
Temperature range:	-30 ÷ +85°C
Cross-talk:	>40db a 2MHz
Protection:	IP 67
Material:	anodized alluminium uni 3571
Cable:	tefzel awg 14, lenght 0,5 m;
Standard connecting cable:	tefzel awg 22, lenght 0,5 m
Rotation system:	ball bearing supported
Slipring life:	30.000 hours at 50 rpm (depending on type and cycle of use).

Basic units

Power + signal

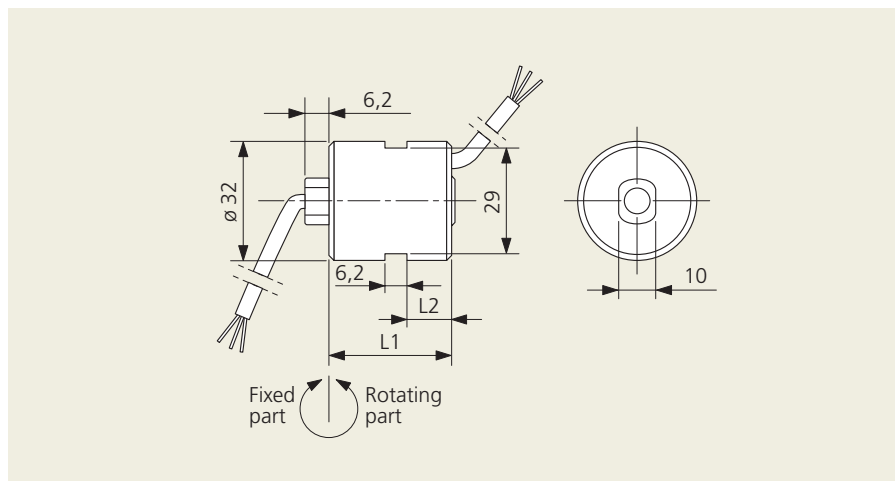
type 02

Channels	L1	L2
2 x 25A + 2 X 5A	38	14
4 x 25A	42	18
4 x 25A + 4 X 5A	58	30
4 x 25A + 8 x 5A	81	42

Signal

type 10

Channels	L1	L2
3 x 5A	30	11
6 x 5A	42	18
9 x 5A	54	25
12 x 5A	66	29



Threaded units

Power + signal

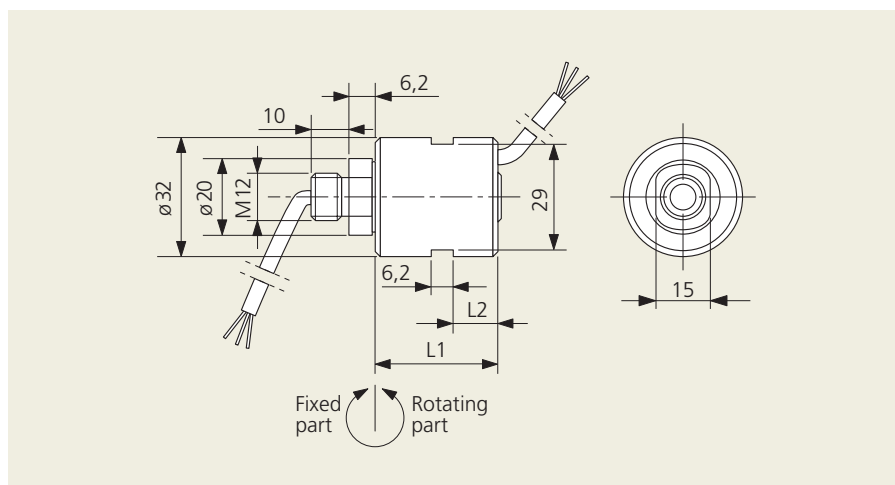
type 03

Channels	L1	L2
4 x 25A	43,5	18
4 x 25A + 4 x 5A	59,5	30
4 x 25A + 8 x 5A	83,5	42

Signal

type 15

Channels	L1	L2
3 x 5A	32,5	11
6 x 5A	44,5	18
9 x 5A	56,5	25
12 x 5A	68,5	29



Flanged units

Power + signal

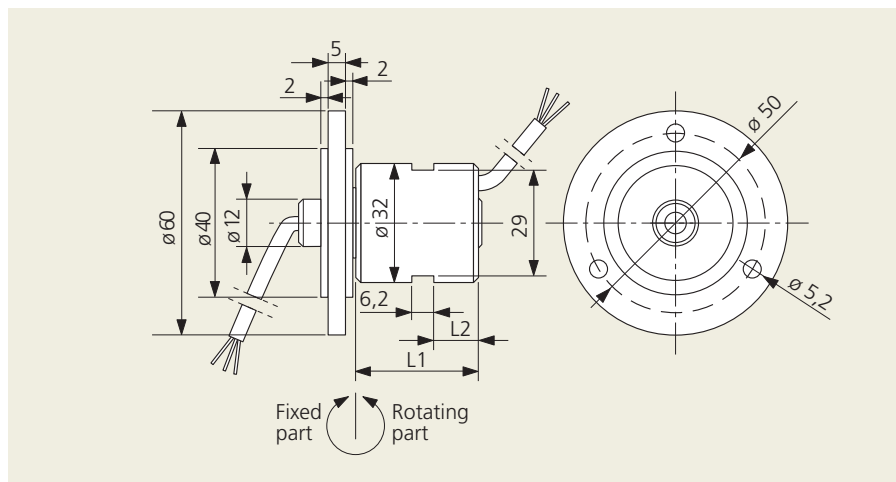
type 04

Channels	L1	L2
4 x 25A	43,5	18
4 x 25A + 4 x 5A	59,5	30
4 x 25A + 8 x 5A	83,5	42

Signal

type 16

Channels	L1	L2
3 x 5A	32,5	11
6 x 5A	44,5	18
9 x 5A	56,5	25
12 x 5A	68,5	29

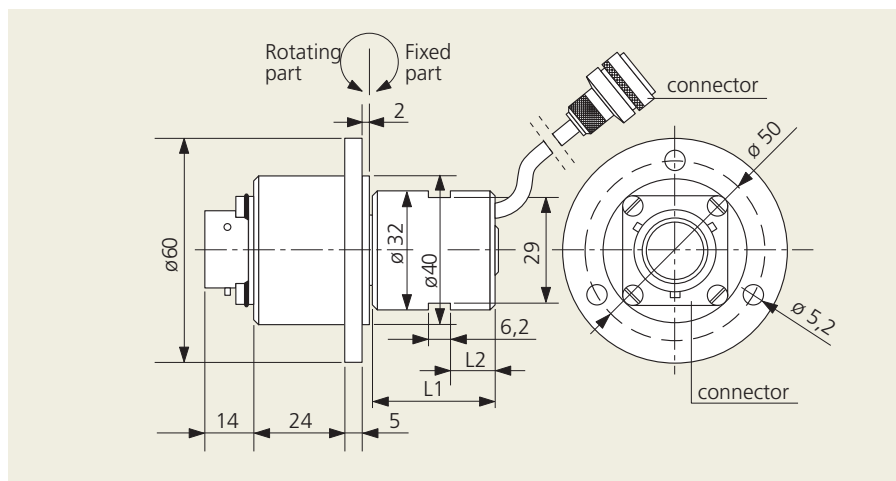


With connector

Signal

type 17

Channels	L1	L2
3 x 5A	32,5	11
6 x 5A	44,5	18
9 x 5A	56,5	25
12 x 5A	68,5	29



Head Office

Cavotec MSL Holdings Ltd.

Cavotec MSL is listed on the **NZX**

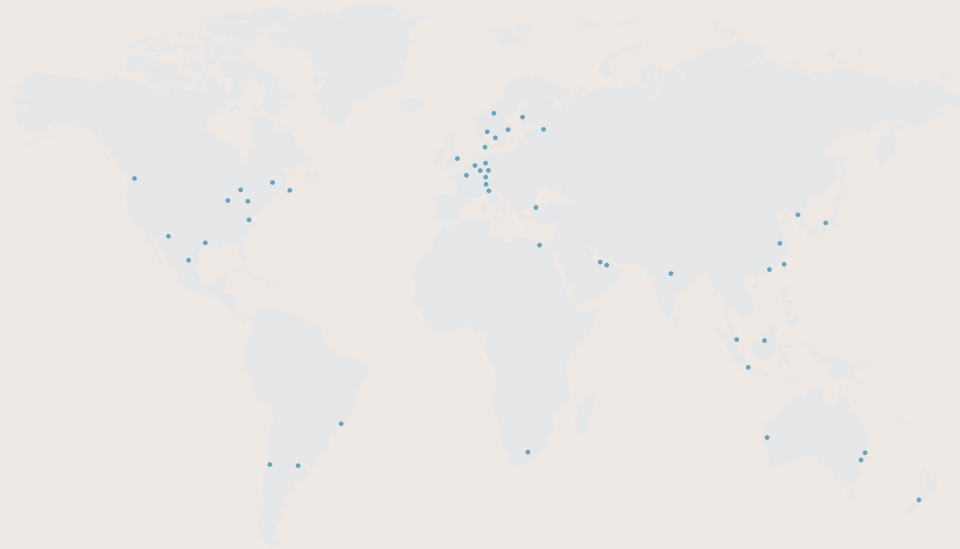
Corporate Office

Cavotec (Swiss) SA

Via Serafino Balestra 27
CH-6900 Lugano, Switzerland

We are present in

Argentina	Luxemburg
Australia	Malaysia
Belgium	Mexico
Brazil	The Netherlands
Canada	New Zealand
Chile	Norway
China	Russia
Denmark	Saudi Arabia
Egypt	Singapore
Finland	South Africa
France	Sweden
Germany	Switzerland
Hong Kong	Taiwan
India	Turkey
Indonesia	Qatar
Ireland	U.A.E.
Italy	U.K.
Japan	U.S.A.
Korea	



For more information please visit our website www.cavotec.com
or contact us directly at info@cavotec.com